



LEO ALLIANCE DALIAN

To order, call us: +86-139-4282-9379, +86-411-6686,3405

or email: marketing@leodalian.com

- Packer Ring, Spider Wheel & Rotary Hoe Wheel
- Ductile iron, gray iron, Mn steel,
- Note: some of the products are customized design. We'll be happy to develop products for you, but need to start new pattern.

ID x OD

12" x 16"

12" x 17"

13" x 17"

14" x 20"

16" x 22"



OD

Φ15"
& Φ18"



Φ14-1/2"
& Φ16"



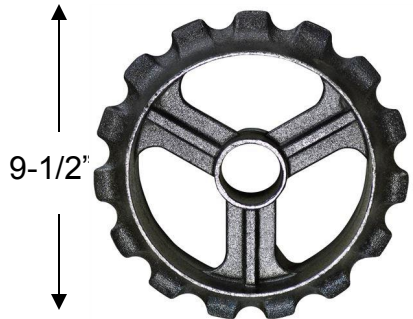
Φ 20"



Φ 21"



Φ 9-1/2"





LEO ALLIANCE DALIAN

To order, call us: +86-139-4282-9379, +86-411-6686,3405

or email: marketing@leodaliant.com

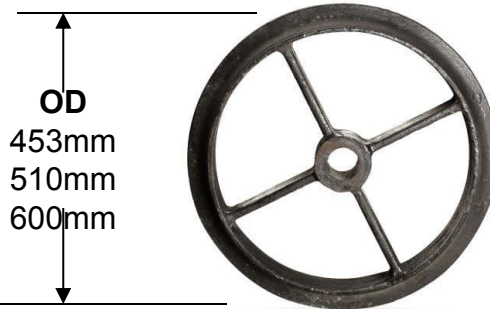
- Cambridge Roller Ring, Crosskill Ring & Breaker Ring
- Ductile iron, gray iron
- Note: some of the products are customized design. We'll be happy to develop products for you, but need to start new pattern.



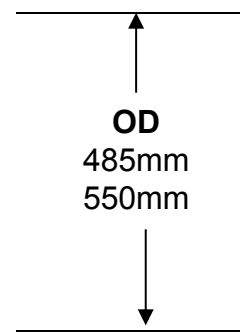
OD
470mm
520mm
530mm
620mm



OD
350mm
400mm
550mm
600mm



OD
453mm
510mm
600mm



OD
485mm
550mm



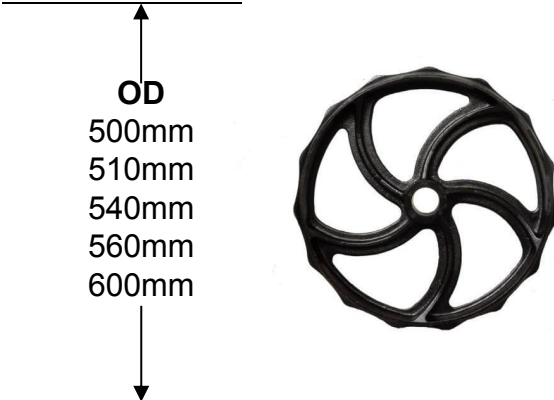
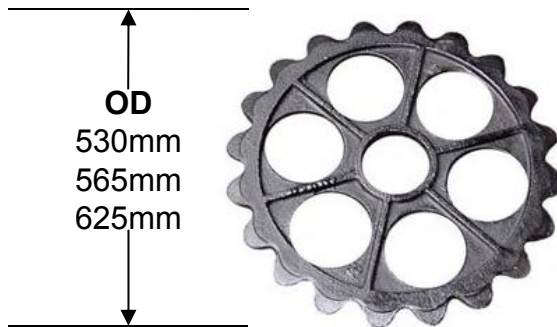


LEO ALLIANCE DALIAN

To order, call us: +86-139-4282-9379, +86-411-6686,3405

or email: marketing@leodalian.com

- Roller Ring, Closing Wheel
- Ductile iron, gray iron
- Note: some of the products are customized design. We'll be happy to develop products for you, but need to start new pattern.



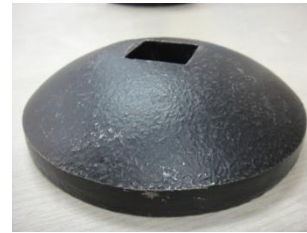


LEO ALLIANCE DALIAN

To order, call us: +86- 139-4282-9379,+86-411-6686,3405

or email: marketing@leodalian.com

- Clamps, Disc Hubs, spools & caps etc.
- Ductile iron, gray iron
- Note: some of the products are customized design. We'll be happy to develop products for you, but need to start new pattern.





LEO ALLIANCE DALIAN

To order, call us: +86-139-4282-9379, +86-411-6686,3405

or email: marketing@leodaliant.com

- High Chrome iron, Chrome Welded products
- Chrome, 65Mn, 60Si₂Mn
- Note: some of the products are customized design. We'll be happy to develop products for you, but need to start new pattern





LEO ALLIANCE DALIAN

To order, call us: +86-139-4282-9379, +86-411-6686,3405

or email: marketing@leodalian.com

- Disc, Furrower, Harrow teeth, Tiller blade, D-ring, U-bar, Sweep, S-tine
- 65Mn, 60Si₂Mn, 30MnB, 28MnSiB
- Note: some of the products are customized design. We'll be happy to develop products for you, but need to start new pattern.

